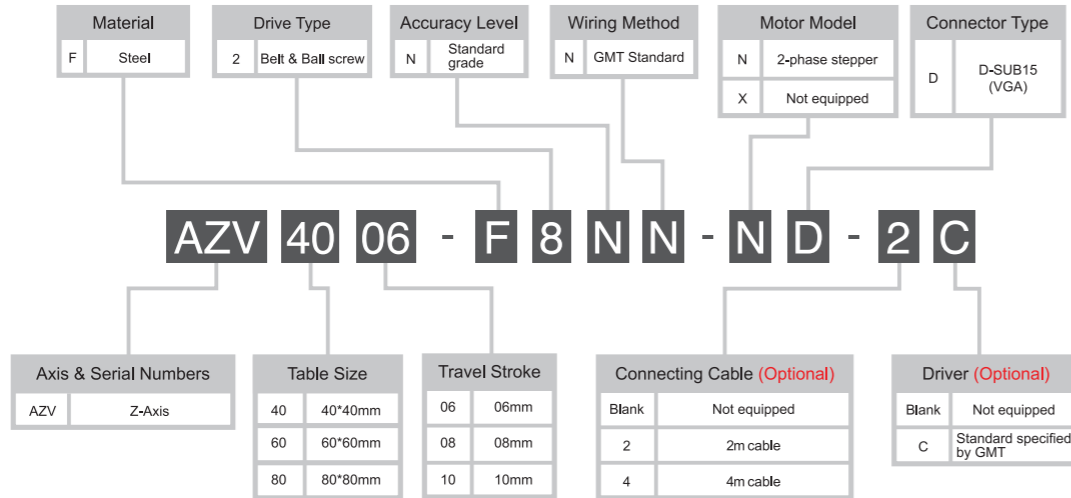


Model Description

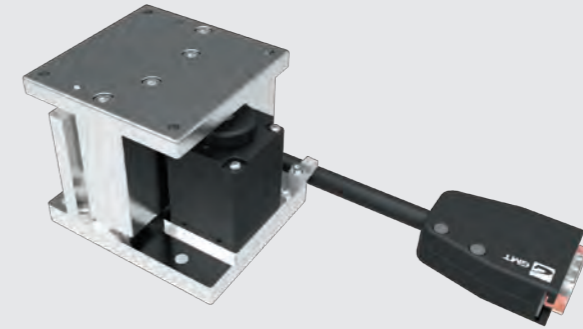
# AZV-F Series



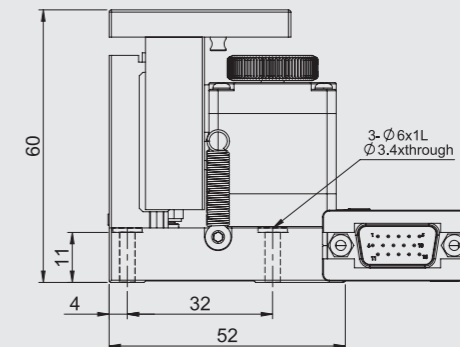
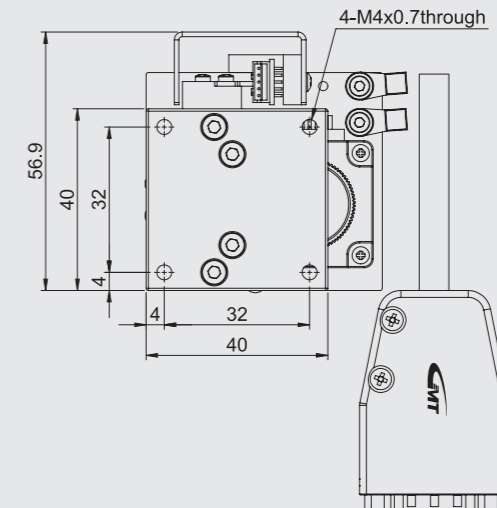
Model No.	AZV4006-F8NN-ND	AZV6008-F8NN-ND	AZV8010-F8NN-ND	
Mechanical Specifications	Table Size	40X40 mm	60X60 mm	80X80 mm
	Travel Stroke	6 mm	8 mm	10 mm
	Drive Type	Belt & Ball screw Ø8 lead 1mm		
	Rail	Linear ball guiding		
	Stage Material / Surface Treatment	Steel / Nickel plating		
	Main Unit Weight	0.6 Kg	1.0 Kg	1.5 Kg
	Coupling	N / A		
	Accuracy Level	N : Standard grade		
Precision Specifications	Resolution (Pulse)	Full / Half	5 µm / 2.5 µm	2.5 µm / 1.25 µm
	Maximum Speed (Full Step)		12 mm / sec	6 mm / sec
	Positioning Precision			30 µm
	Repeatability Precision			±5 µm
	Load Capacity	3 Kgf		5 Kgf
	Missed Step			5 µm
Electrical Specifications	Motor	Type / Shaft Numbers	2-phase stepper / □28 double shafts (NEMA11)	
		Brand / Model	GMT / 2MS-N28D32A	
	Driver	Brand / Model	GMT / GTR22G-D (Additional options)	
	Connector	Stage Side Connector	15-pin male end connector D-SUB	
		Controller Side Connector	15-pin female end connector D-SUB (optional)	
	Sensor	Origin Sensor	Photoelectric sensor EE-SX4134	
		Limit Sensor		
		Power Voltage	24V±10%	
Control Output		NPN open collector output under 24V 8mA		
Output Control		Testing (sensing) : output transistor OFF (closed)		

©GMT Standard wiring is defined as the product photo, and not optional available.  
 ©GMT Standard Motorized Stage series is equipped with D-SUB connector as the standard one which is available to be changed to HRS or NJC on request as per reference stated on P.0492.  
 ©In case HRS connection cable is required, please consult to your regional sales.

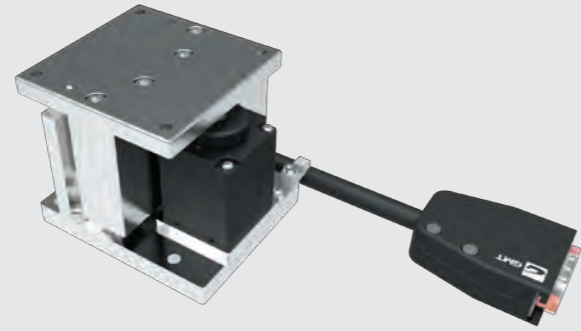
Z-Axis



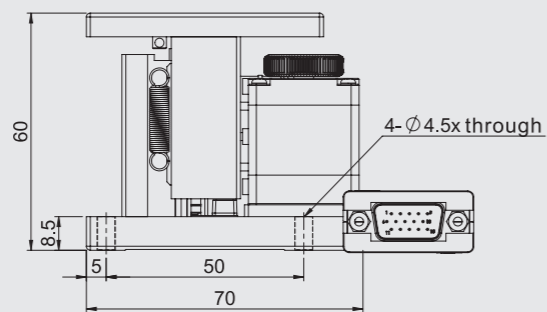
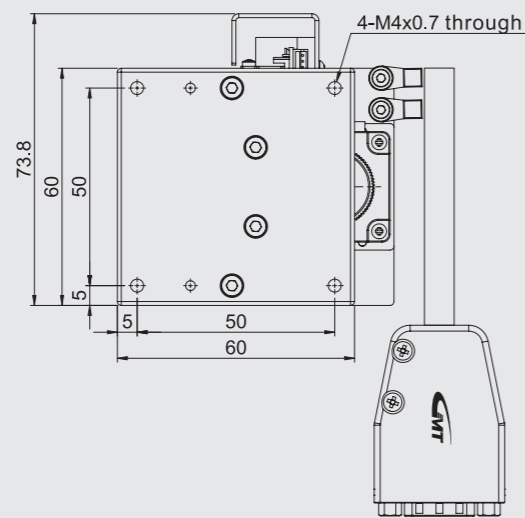
AZV4006-F8NN-ND



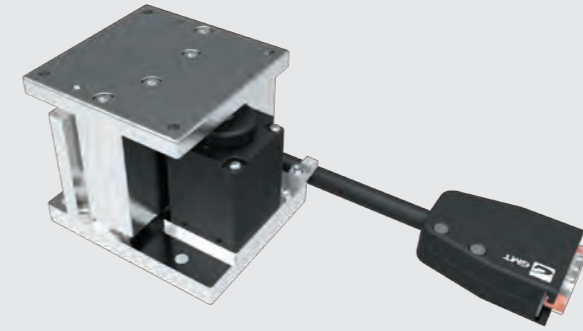
©Photo is AZV6008-F8NN-ND.



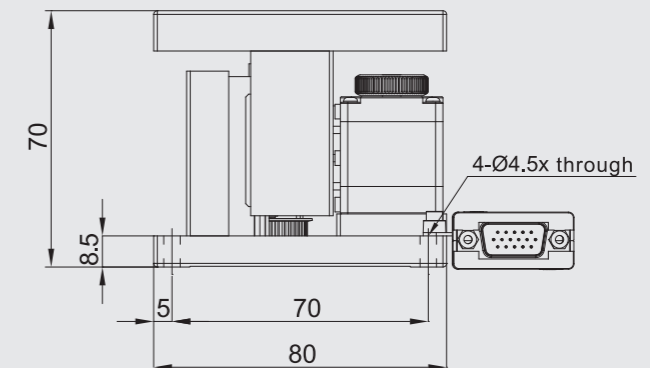
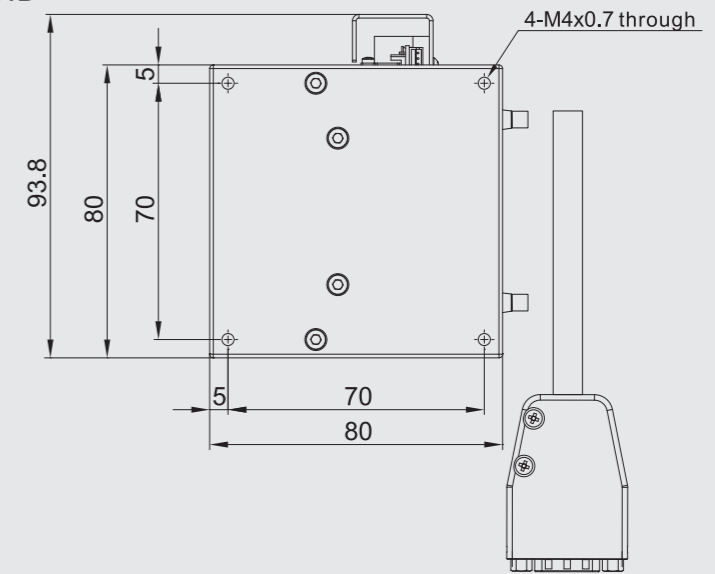
AZV6008-F8NN-ND



©Photo is AZV6008-F8NN-ND.



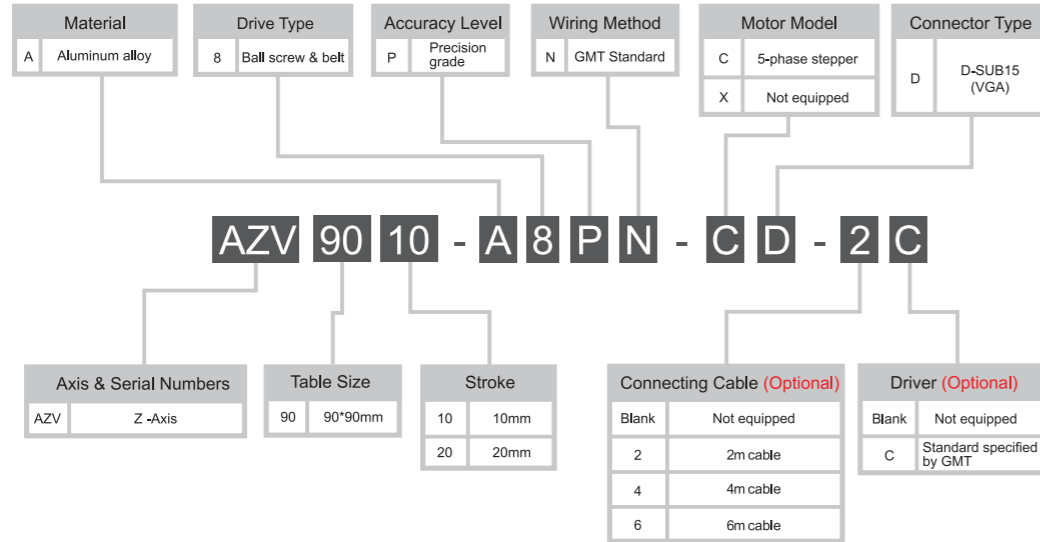
AZV8010-F8NN-ND



©Photo is AZV6008-F8NN-ND.

# AZV90 series

Model Description



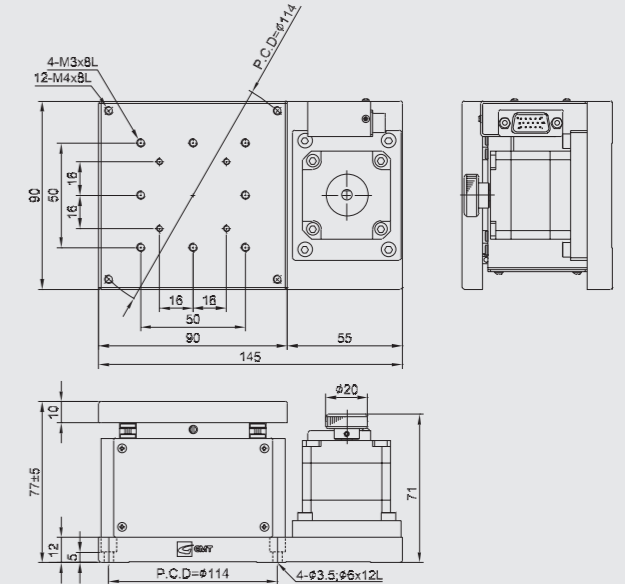
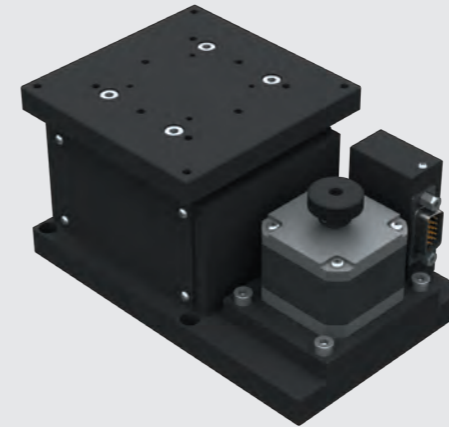
Model No.	AZV9010-A8PN-CD	AZV9020-A8PN-CD	
Mechanical Specifications	Table Size	90X90 mm	
	Travel Stroke	10 mm	20 mm
	Drive Type	Ball screw Ø8 lead 1mm & belt	
	Rail	Crossed roller guiding	
	Stage Material / Surface Treatment	Aluminum alloy / Black anodized	
	Main Unit Weight	1.85 Kg	1.95 Kg
	Coupling	Not equipped	
Precision Specifications	Accuracy Level	P : Precision grade N : GMT Standard	
	Resolution (Pulse)	Full / Half	1 µm / 0.5 µm
	Maximum Speed (Full Step)		5 mm / sec
	Positioning Precision		10 µm
	Repeatability Precision		±0.5 µm
	Load Capacity		5 Kg
	Missed Step		1 µm
Electrical Specifications	Parallelism		60 µm
	Dynamic Straightness		5 µm
	Dynamic Parallelism		30 µm
	Motor	Type / Shaft Numbers	5-phase stepper / □42 double shafts
		Brand / Model	Sanyo / 103F5505-8211
	Driver Brand / Model	Please refer to motor / driver cross-reference table (page 0279-0280)	
	Connector	Stage Side Connector	15-pin male end connector D-SUB
Controller Side Connector		15-pin female end connector D-SUB (optional)	
Sensor	Origin Sensor	Photoelectric sensor EE-SX4134	
	Limit Sensor		
	Origin Approximation Sensor	N / A	
	Power Voltage	24V±10%	
	Control Output	NPN open collector output under 24V 8mA	
Output Control	Testing (sensing) : output transistor OFF (closed)		

©GMT motorized stage is equipped with D-SUB connector as the standard one which is available to be changed to HRS or NJC on request as per reference stated on P.0492  
 ©In case HRS connection cable is required, please consult to your regional sales.

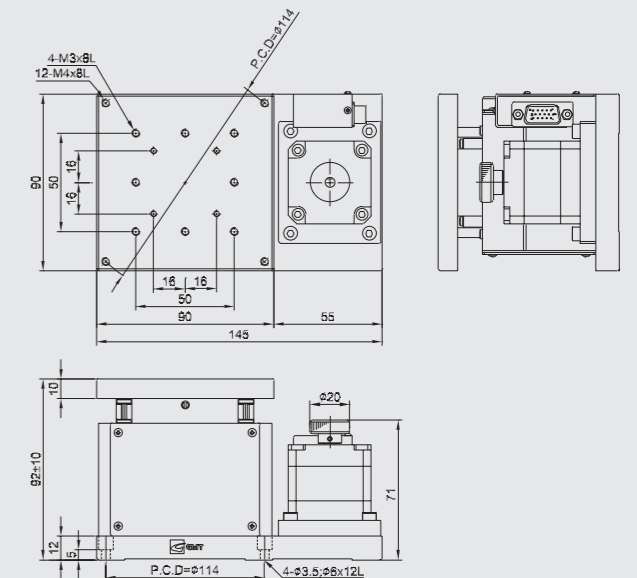
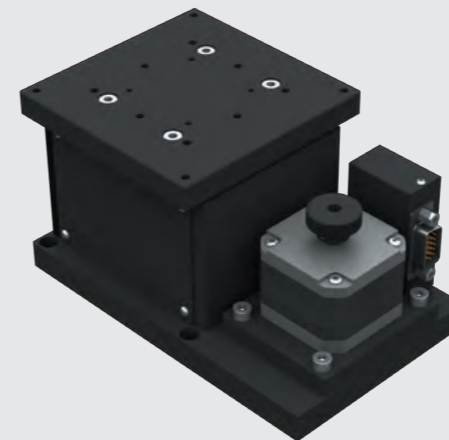
Z-Axis



## AZV9010-A8-PN-CD

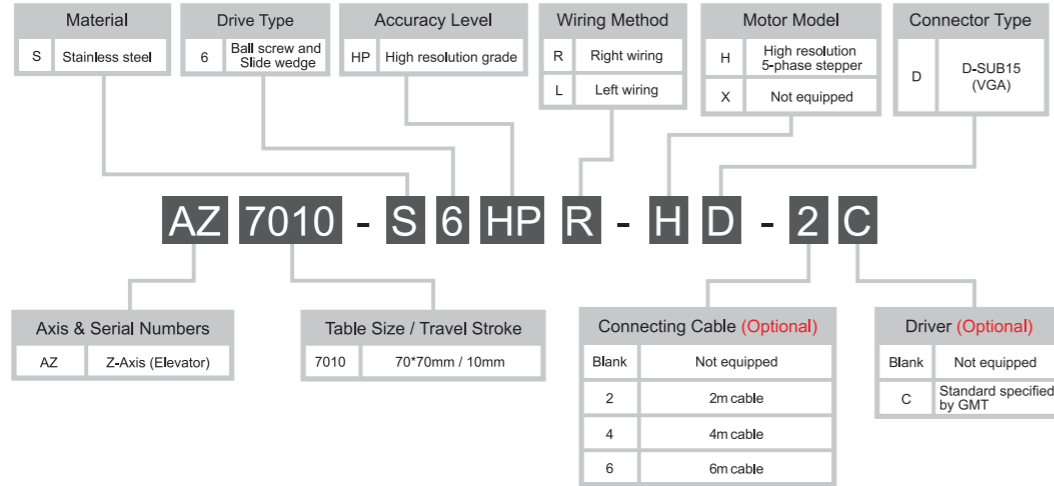


## AZV9020-A8-PN-CD



Model Description

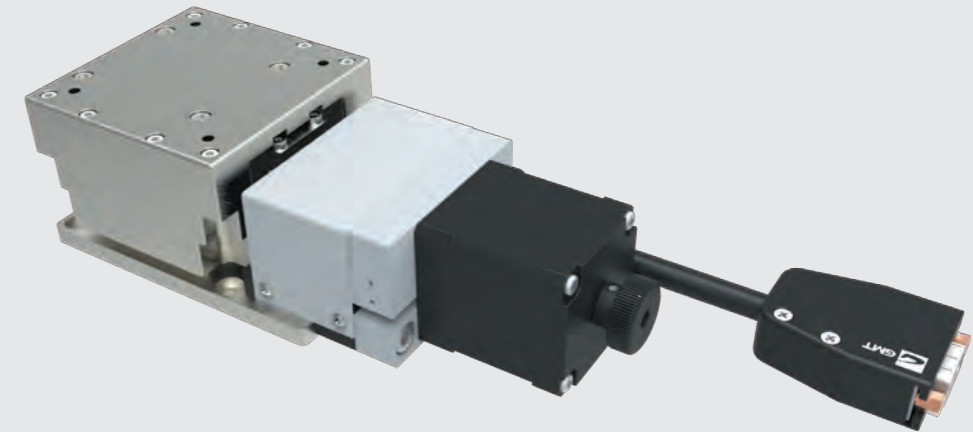
# AZ / HP Series



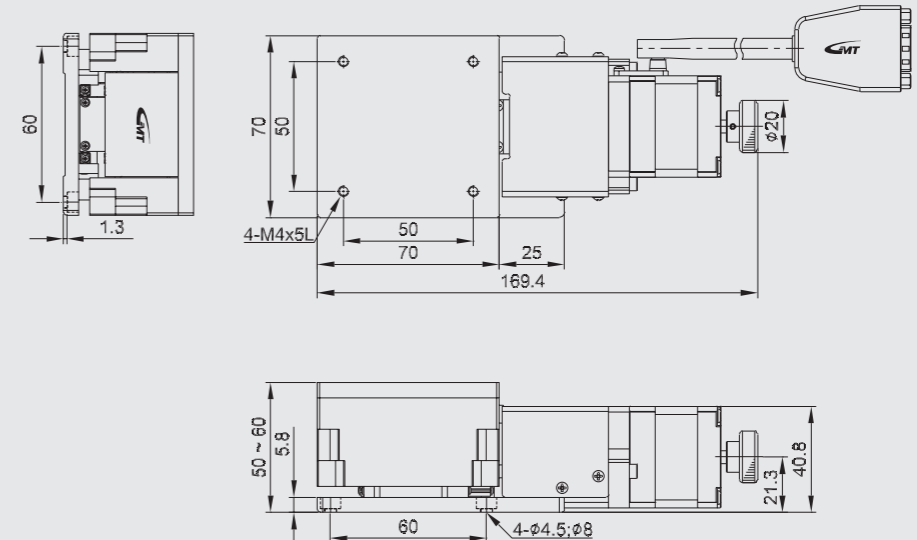
Z-Axis



AZ7010-S6HPR-HD



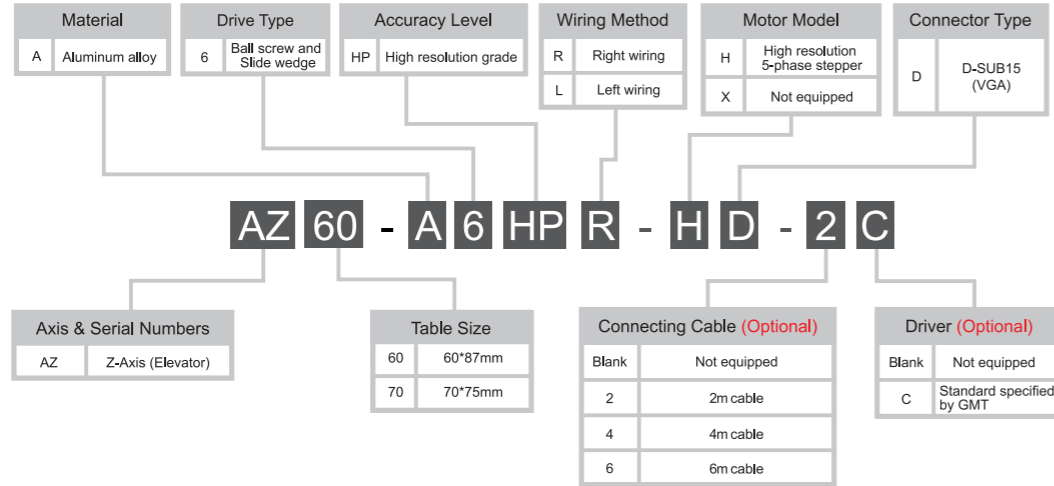
Model No.		AZ7010-S6HPR-HD
Mechanical Specifications	Table Size	70X70 mm
	Travel Stroke	10 mm
	Drive Type	Ball screw Ø8 lead 1mm
	Rail	Crossed-roller guiding
	Stage Material / Surface Treatment	Stainless steel / Electroless nickel plating
	Main Unit Weight	1.7 Kg
	Coupling	FAMMS16-5*5
Precision Specifications	Accuracy Level	High resolution grade
	Wiring Method	R : Right wiring (Inventory specification) / L : Left wiring
	Resolution (Pulse)	Full / Half
	Maximum Speed (Full Step)	0.5 µm / 0.25 µm
	Positioning Precision	5 mm / sec
	Repeatability Precision	5 µm
	Load Capacity	±0.5 µm
	Missed Step	10 Kgf
	Parallelism	1 µm
	Dynamic Straightness	20 µm
Electrical Specifications	Dynamic Parallelism	5 µm
	Motor	Type / Shaft Numbers: 5-phase stepper / □39 double shafts Brand / Model: Sanyo / 103-4507-7010
	Connector	Driver Brand / Model: Please refer to motor / driver cross-reference table (page 0279~0280)
		Stage Side Connector: 15-pin male end connector D-SUB
		Controller Side Connector: 15-pin female end connector D-SUB (optional)
	Sensor	Origin Sensor: Photoelectric sensor EE-SX4134
		Limit Sensor: N / A
		Origin Approximation Sensor: N / A
		Power Voltage: 24V±10%
		Control Output: NPN open collector output under 24V 8mA
	Output Control: Testing (sensing) : output transistor OFF (closed)	



©GMT motorized stage is equipped with D-SUB connector as the standard one which is available to be changed to HRS or NJC on request as per reference stated on P.0492  
 ©In case HRS connection cable is required, please consult to your regional sales.

Model Description

# AZ / HP Series



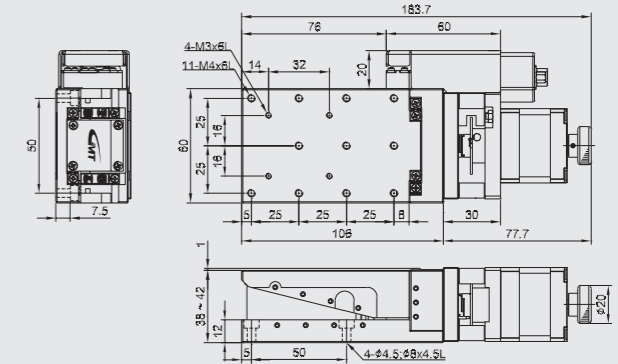
Model No.	AZ60-A6HPR-HD	AZ70-A6HPR-HD
Mechanical Specifications	Table Size: 60X87 mm / 70X75 mm Travel Stroke: 4 mm Drive Type: Ball screw Ø8 lead 1mm, slide wedge Rail: Crossed-roller guiding Stage Material / Surface Treatment: Aluminum alloy / Black anodized Main Unit Weight: 1.08 Kg / 1.09 Kg Coupling: FAMS12-5*5 Accuracy Level: High resolution grade Wiring Method: R : Right wiring (Inventory specification) / L : Left wiring	
Precision Specifications	Resolution (Pulse) Full / Half: 0.25 µm / 0.125 µm Maximum Speed (Full Step): 2.5 mm / sec Positioning Precision: 5 µm Repeatability Precision: ±0.5 µm Load Capacity: 8 Kgf Missed Step: 1 µm Parallelism: 30 µm Dynamic Straightness: 5 µm Dynamic Parallelism: 20 µm	
Electrical Specifications	Motor: Type / Shaft Numbers: 5-phase stepper / □39 double shafts Brand / Model: Sanyo / 103-4507-7010 Driver Brand / Model: Please refer to motor / driver cross-reference table (page 0279~0280) Connector: Stage Side Connector: 15-pin male end connector D-SUB Controller Side Connector: 15-pin female end connector D-SUB (optional) Sensor: Origin Sensor: Photoelectric sensor EE-SX498 Limit Sensor: Photoelectric sensor PM - F24 Origin Approximation Sensor: Photoelectric sensor PM - F24 Power Voltage: 24V±10% Control Output: NPN open collector output under 24V 8mA Output Control: Testing (sensing) : output transistor OFF (closed)	

©GMT motorized stage is equipped with D-SUB connector as the standard one which is available to be changed to HRS or NJC on request as per reference stated on P.0492  
 ©In case HRS connection cable is required, please consult to your regional sales.

Z-Axis



## AZ60-A6HPR-HD



## AZ70-A6HPR-HD

